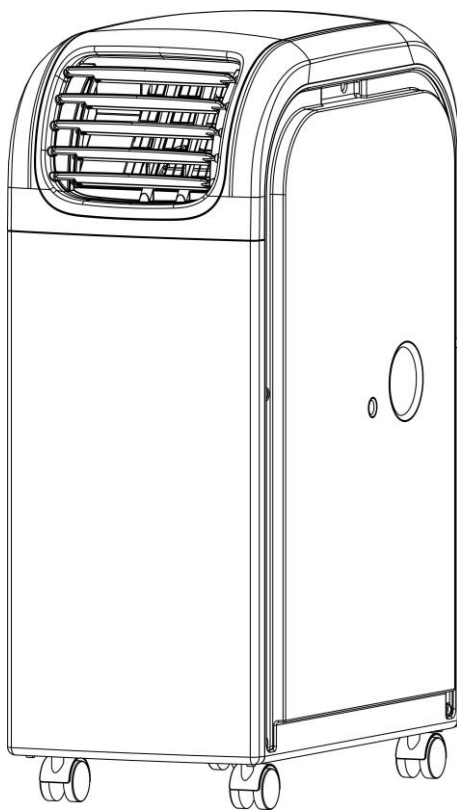


# PC40-AMK USER MANUAL



PORTABLE AIR-CONDITIONER

## **VERY IMPORTANT**

**Please read this instruction guide before install and using your portable air conditioner unit.**

**This instruction manual is the universal-purpose version for the units that you purchase, it might be slightly different from the ones described in the manual, but it does not affect your proper operations and usage.**

## **CAUTION**

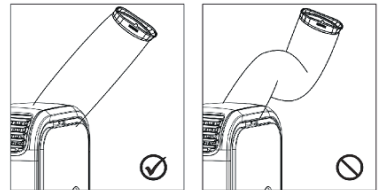
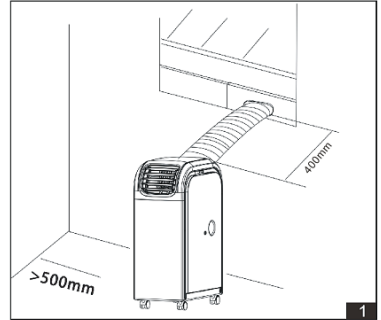
1. " PLEASE MAKE SURE THE PRODUCT VENTILATES ALL THE TIME "! Please make sure the inlet and outlet ventilation is not blocked at all times.
2. Operate this unit on a horizontal surface to avoid water leakage.
3. Do not operate this unit in an explosive or corrosive atmosphere.
4. Operate this unit in an ambient of 35 degree centigrade or less.
5. The heating function of the unit should be operated in an indoor ambient temperature between 7°C and 23°C
6. Clean air filter periodically to enjoy the most efficient cooling.
7. When the unit is shut off, please wait at least 3.5 minutes before restarting this is to prevent the compressor from being damaged.
8. This unit needs at least 7 Amps of electricity to have its compressor operational. To avoid the household electricity block out, please do not use any extension cord for this unit.

9. This unit is for indoor cooling, heating and dehumidifying.
10. When turning on the unit, the fan will operate but the compressor will start up after the cooling alarm flashes for three minutes
  - In heating function, the heating alarm will flash for 3.5 minutes before the compressor and fan start up.
11. When the supply cord is damaged, it must be replaced by the manufacturer, its service agent or similarly qualified persons in order to avoid hazard.
12. In order to dispose the appliance safely, please remove the batteries from the unit before scrapping it.
13. This appliance can be used by children aged from 8 years and above and persons with reduced physical, sensory or mental capabilities or lack of experience and knowledge if they have been given supervision or instruction concerning use of the appliance in a safe way and understand the hazards involved. Children shall not play with the appliance. Cleaning and user maintenance shall not be made by children without supervision.
14. The air-conditioner can be connected only to a supply with system impedance no more than  $0.219\Omega$ . In case necessary, please consult your supply authority for system impedance information.

## ATTENTION

For effective heating and cooling functions, please ensure that the following steps are undertaken:

- 1) Extend the exhaust hose to a length of not more than 400 mm. The exhaust hose must be kept parallel and must not be bent up or down.
- 2) A distance of 500mm minimum must be kept between the filter side of the unit and wall or any other obstacles".
- 3) When this appliance starts to defrost, the word "DF" will be displayed on the LED



## CONGRATULATIONS ON YOUR SELECTION OF A QUALITY PORTABLE AIR CONDITIONER

### PORTABLE AIR CONDITIONER

This Air Conditioner has been designed and manufactured to the highest standards of modern engineering.

Our product not only provides you a remote control to help user operate all the functions easily and conveniently but also has below benefits:

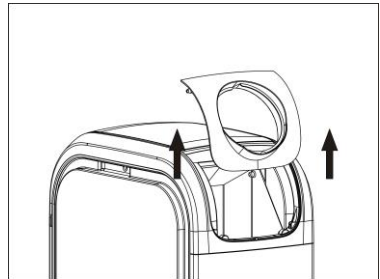
- Moves easily from room to room on easy glide castors
- Please follow the picture to install the window kit and attach the exhaust hose before plugging the unit
- Powerful refrigerated air system cools down the ambience

**instantly whenever you want.**

- **Dehumidified and filtered air cycle improve breathing environments effectively.**
- **Besides the remote control, your one touch electronic pad also provides easy-identifying manual operation.**
- **24 hour Programmable timer for cooling, heating and dehumidifying functions.**
- **Unique sleep control function**
- **220~240 Volt 50Hz operation**

## **UNPACKING INSTRUCTIONS**

1. Place the unit in the correct upright position before unpacking.
2. Cut the two packing straps.
3. Slide the carton in an upwards motion and it will release from the base.
4. Grip the carry handles located on either sides of the unit and carefully lift until it slides out of the foam base.
5. Remove the air outlet and take out the exhaust hose as the picture.
6. Install the exhaust hose on the unit before operating the unit.

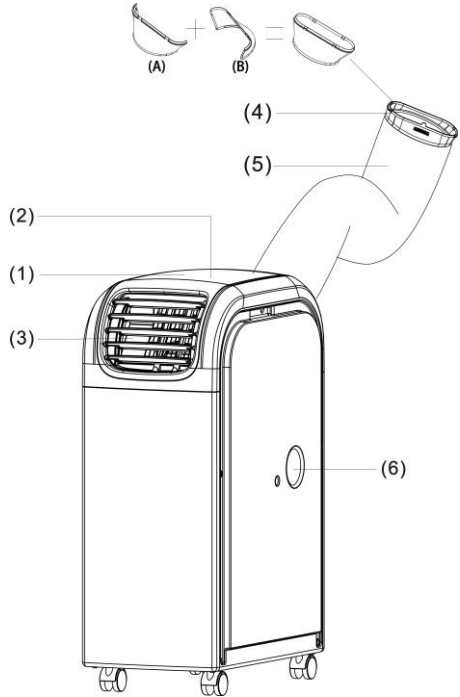


## **CONTENTS**

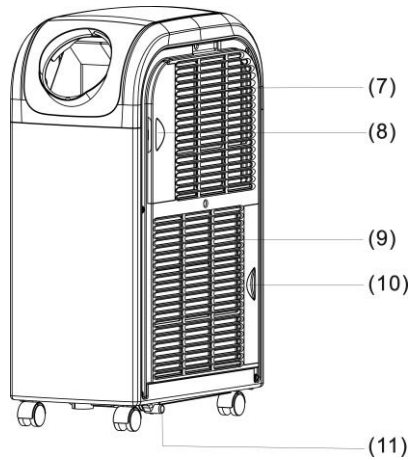
- 1 / Air conditioner unit
- 2 / Remote control
- 3 / Batteries
- 4 / Window Kit B

# NAME OF THE PARTS

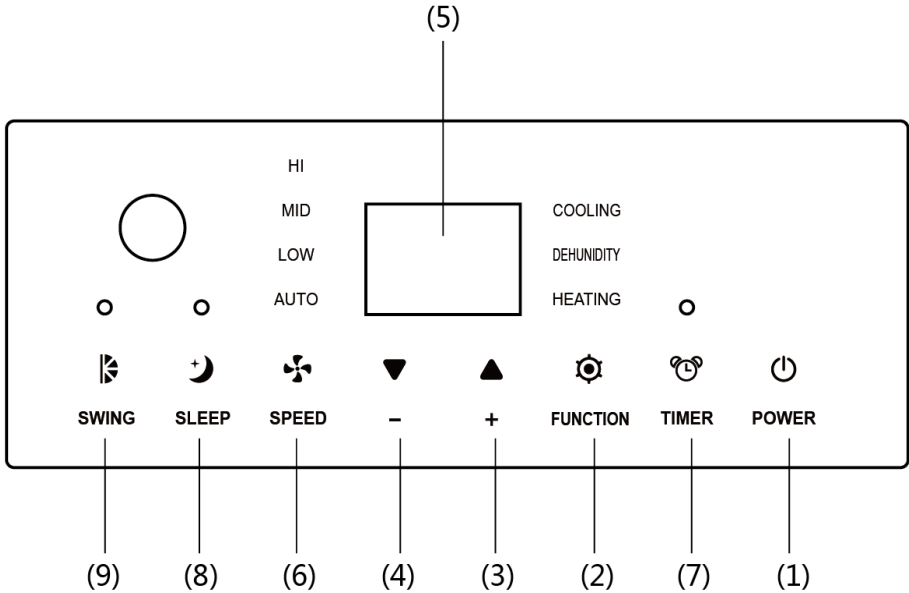
1. Control panel
2. Remote control receiver
3. Adjustable air vent
4. Joint tube
5. Exhaust hose
6. Upside drain hole



7. Cool air inlet
8. Cool air filter
9. Hot air inlet
10. Hot air filter
11. Downside drain hole



# CONTROL PANEL & DESCRIPTION OF FUNCTION



## 1. POWER KEY

Press to turn unit "ON" or "OFF".

## 2. FUNCTION

Press this key to select cooling, heating, or dehumidifying.

## 3. TEMPERATURE REGULATION KEY (UP)

During cooling function: This key raises the preset temperature by 1°C each time it is pressed and the maximum limit is 30°C.

During heating function : This key raises the preset temperature by 1°C each time it is pressed and the maximum limit is 25°C.

## 4. TEMPERATURE REGULATION KEY (DOWN)

During cooling function: This key lowers the preset temperature by 1°C each time it is pressed-and the minimum limit is 17°C.

During heating function: This key lowers the preset temperature by 1°C each time-and the minimum limit is 15°C.

## 5. L.E.D. DISPLAY

The display indicates the current setting temperature or the timer setting. When the set temperature or the timer is adjusted, the new setting is shown then the display returns the current set temperature.

※ The display is also used to show error codes should a fault occur, see ERROR CODES.

## 6. SPEED

Press to select either LOW, MEDIUM, HIGH or AUTO fan speed.

If "AUTO" is selected (During cooling function), "HIGH" or "MEDIUM" or "LOW" will be selected automatically according to the difference between setting temperature and ambient temperature.

Note: In heating function and dehumidifying function, this key is invalid because the unit is **defined** to be high speed in heating mode and low speed in dehumidifying mode.

## 7. PROGRAMMABLE TIMER

Programmable timer ON/OFF key.

TIMER-ON: The timer-on is used to turn on the unit automatically after the set time is over.

1. Press the "TIMER" key at stand-by status to set the time you desired.
2. Once the set hour has come to an end, the unit will turn on automatically.
3. Press the "POWER" key before time out, the setting time will be canceled and the unit will turn on.
4. You can set the function and fan speed while setting the timer.

TIMER-OFF: The timer-off is used to turn off the unit automatically after the setting time is over.

1. Press the "TIMER" key at operating status to set the time you desired.
2. Once the set hour has come to an end, the unit will turn off automatically.



3. Press the "POWER" key before the time out, the setting time will be canceled and the unit will turn off.

## **8. SLEEP CONTROL FUNCTION**

1. While in cooling mode, press the SLEEP key to set the temperature. It increases 1 °C after an hour and at most increases 2 °C after 2 hours.

2. While in heating mode, press the SLEEP key to set the temperature. It decreases 1 °C after an hour and at most decreases 2 °C after 2 hours.

3. Press the SLEEP key again can cancel the setting.

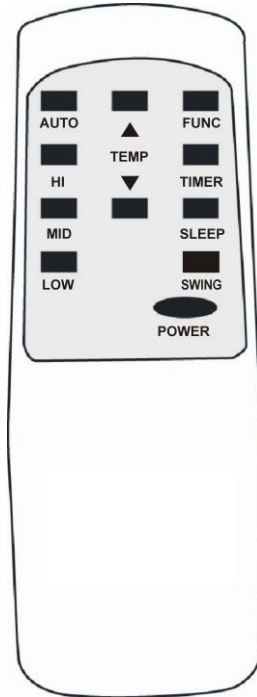
## **9. SWING**

Press this key and the outlet will oscillating, and it will stop when this key is pressed again.

## **10. ALARM**

When the water tank is full, "E4" will be displayed on the display panel. To resume operation, please remove the rubber cap of the drain hose to drain out the water firstly. The E4 warning will disappear after draining, and then you can restart the unit by pressing the POWER key.

# REMOTE CONTROL FUNCTION



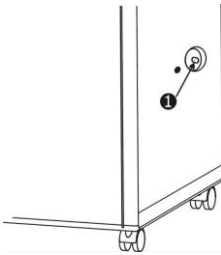
- 1. POWER
- 2. FUNC
- 3. TIMER
- 4. AUTO
- 5. HI
- 6. MID
- 7. LOW
- 8. SLEEP
- 9. TEMP.
- 10. SWING

- On/Off switch
- Function “MODE” selector
- Hourly programming
- Automatic fan speed
- High fan speed
- Medium fan speed
- Low fan speed
- Night operation selector
- Temperature selector
- Swing

# NOTICE

This unit can evaporate the condensation and distribute through the exhaust hose automatically.

1. When the unit is in the cooling function, it does not need the drain pipe installed. Please make sure that the rubber cap is locked on drain hole, when the unit is running.
  2. When operating the heating function, the “①” rubber cap on drain hole should be pulled out and install a proper drain pipe in order to improve the heating effect
  3. When operating the dehumidifying function the “①” rubber cap on drain hose should be pulled out and install a proper drain hose.
- Please remove the air exhaust hose, connect a drain hose to the drain hole and lead the water to the outside in order to intensify dehumidifying capacity.
  - ※ When the water tank is full, "E4" will be displayed on the display panel. Please remove the rubber cap “②” of the drain hole to drain out the water first. After the drainage is completed, please restart the unit and then the unit can operate normally.



# MAINTENANCE

**PLEASE DISCONNECT THE POWER CORD BEFORE CLEANING.**

## AIR FILTER

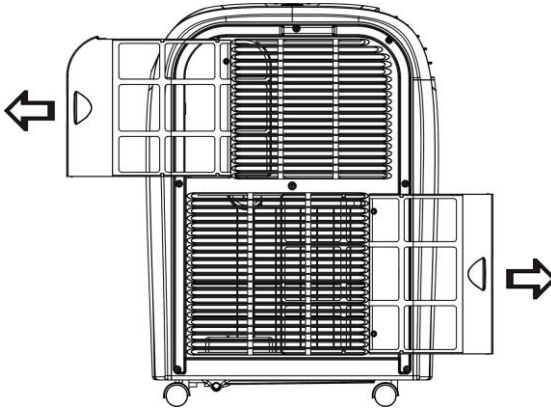
The air filter located on the left hand side of the unit can be removed, simply by pulling the frame out

## CONDENSER/EVAPORATOR

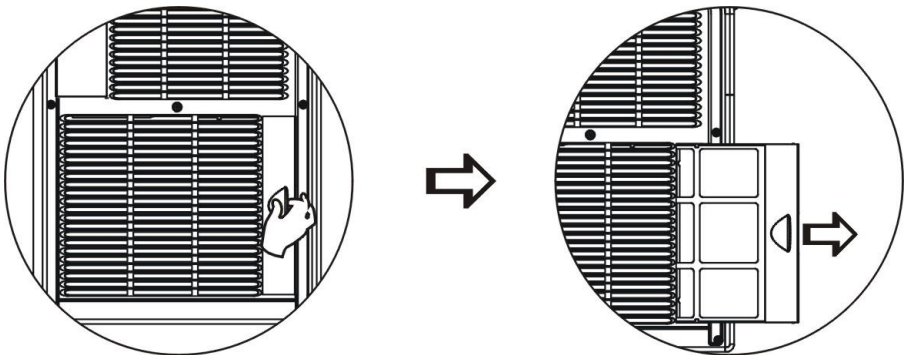
Use a brush attachment with a vacuum cleaner.

### Casing

Wipe with a damp cloth and polish with a soft cloth.

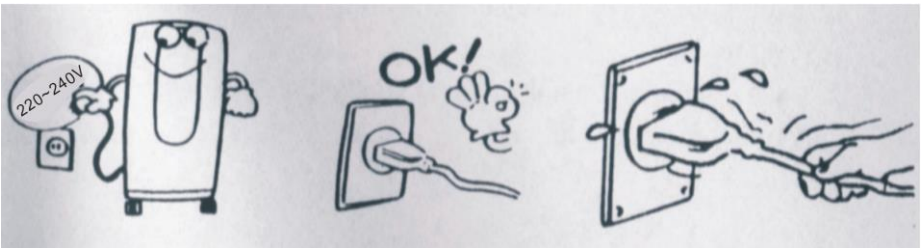


To remove the air filter, please follow the arrow direction and pull the filter lightly, and then take out the filter for cleaning.



# POWER SUPPLY

- (1) Confirm the correct power.
- (2) Insert the plug into the outlet firmly-In order to prevent any dangerous leakage.
- (3) Don't pull power wire by force because it will cause damage to power wire.



# PLACE FOR USE

- (1) Because the machine distributes hot air, please don't place or operate in a narrow place.
- (2) In case of dangerous leak, don't work the machine in a humid place.
- (3) Don't place the machine in a sunlit corner otherwise the unit might shut down due to the overheat and the color of the machine may soon fade out.

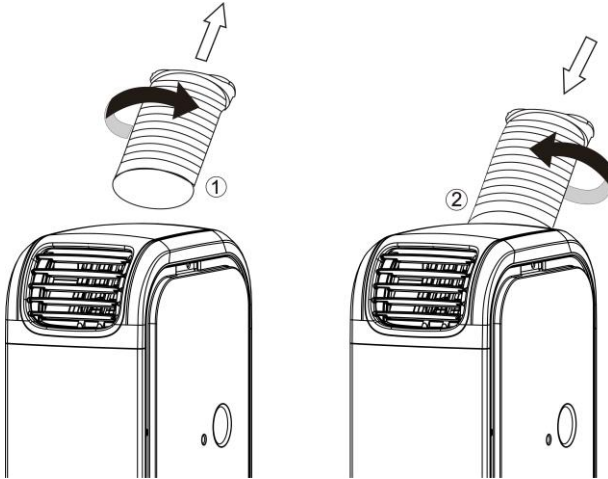
# HELPFUL HINTS

The unit is fitted with a special thermal cut off device.

Please ensure the unit is not placed against objects which will obstruct air intake e.g. furniture or curtains as this will affect it's performance dramatically.

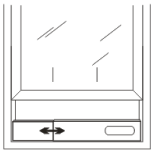
# EXHAUST HOSE INSTALL

1. Circumrotate the exhaust hose according to the direction as the arrowhead ① indicates and then the exhaust hose can be took out from the unit.
2. Circumrotate the exhaust hose according to the direction as the arrowhead ② indicates and then make it connect with the unit.

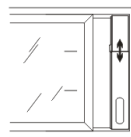
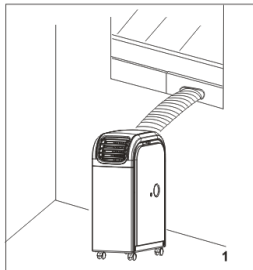


# WINDOW KIT INSTALL

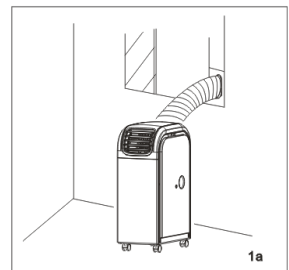
- ◆ Install the Exhaust Hose and the Adjustable Window Slider Kit as depicted in Fig.1 & Fig.1a.



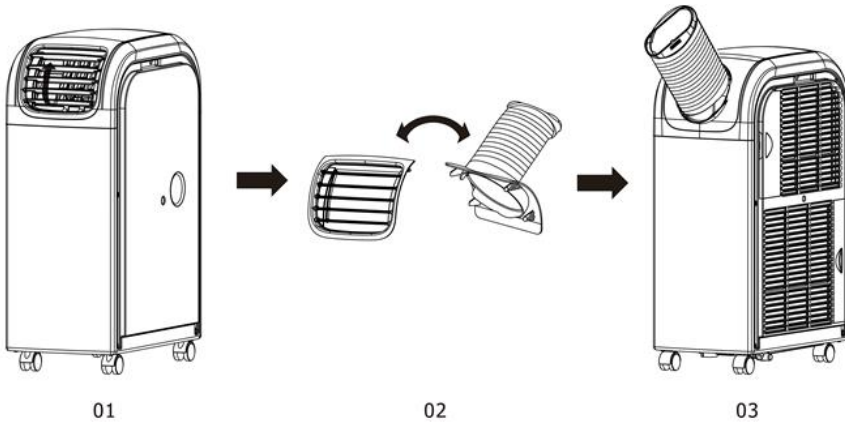
Window slider kit



Window slider kit



## How to enjoy heating function ?



When operating heating function:

Disassemble the outlet and the exhaust **hose** as arrow direction in Fig.01 and then exchange the two subassemblies to install. The finished illustration is as Fig.03.

## TROUBLE SHOOTING

Problem	Cause	Trouble shooting
<b>E1</b>	Electrical short on both temperature sensor and PCB	Contact an electrician for repair
<b>E2</b>	Electrical short of temperature sensor copper tube and PCB wiring	Contact an electrician for repair
<b>E4</b>	Indicates water tank full	User needs to pull out the rubber stopper which is located at the bottom of the unit, to drain the water away.

# SPECIFICATION

Model No.	PC44-AMK
Power Source	220-240V~50Hz
Rated Power (EN60335) Cooling Heating	1700W 1500W
Cooling Capacity	4400W
Heating Capacity	4400W
Moisture Removed	70liters/day
Refrigerant	R410A
Dimensions (mm)	300Wx505Dx775H

(CE) N 842/2006:

R410A is a kind of fluorinated greenhouse gases covered by the Kyoto Protocol.

Its total global warming potential (GWP) is 2088



This marking indicates that this product should not be disposed with other household wastes throughout the EU. To prevent possible hazards to the environment or human health from uncontrolled waste disposal, please recycle it to prove the sustainable reuse of material resources. Please ask return and collection systems or contact the retailer where the product was purchased to return your used device, they can recycle products safely.